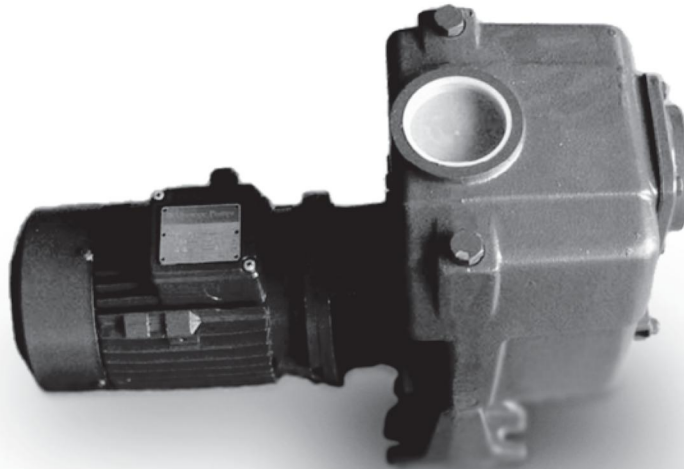




AC Series

Self-Priming Centrifugal Pumps

Self-Priming Centrifugal Pumps-AC series, with open impeller



Design Features:

- Closed coupled with electric motor
- opened impeller design
- Build in back flow preventer which able auto priming for next start of operations.
- Solid size up to 10mm

Materials:

Components	AC 50125 & AC65150	BA50125
Pumps Casing Suctions Flange Impeller	Cast Iron	Bronze
Shaft	Stainless SS 304	Stainless SS 316
Mechanical seal	Carbon ceramic-NBR	Carbon Ceramic-NBR

Construction

Close-coupled centrifugal pumps with open impeller.

The built-in backflow preventer avoids reverse siphoning when the pump is stopped and assures automatic re-priming at the next start.

The pump re-primed itself even if partially filled with liquid and with completely empty suction pipe.

Self-Priming Centrifugal Pumps-AC series, with open impeller

Applications

For clean or slightly dirty water, also with solids up to 10 mm grain size for AC 50125 and 15 mm for AC 65150.
For draining a basin or a sump For irrigation For civil and industrial applications

Operating conditions

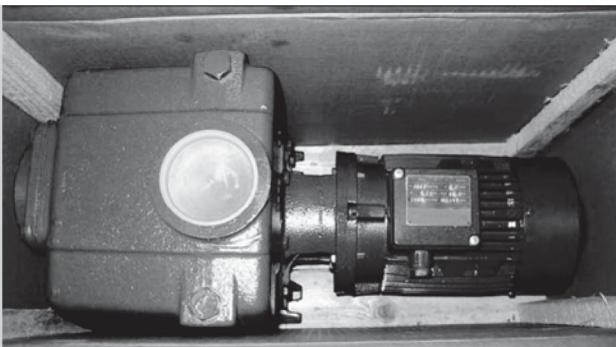
Liquid temperature from -10 °C to +90 °C Room temperature up to 40 °C. Maximum permissible working pressure up to 10 bar Continuous duty

Motor

2-pole induction motor, 50 Hz ($n = 2900$ 1/min). AC : three-phase 230/400 V $\pm 10\%$. AM: single-phase 230 V $\pm 10\%$, with thermal protector. Capacitor inside the terminal box Insulation class F. Protection IP 54
Constructed in accordance with IEC 34.

Special features on request

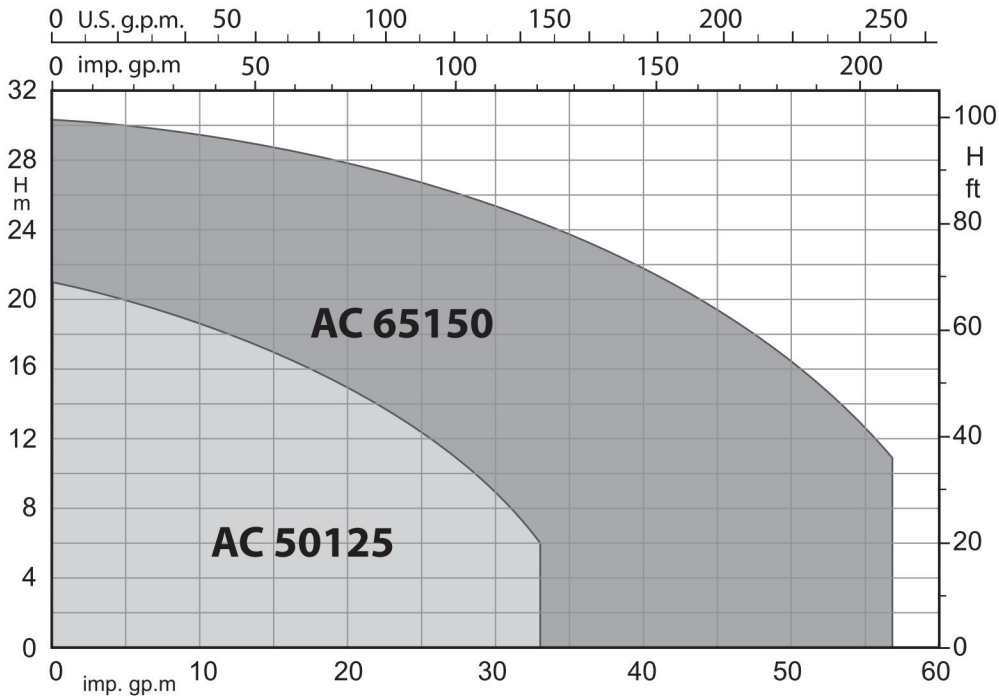
Other voltages Frequency 60 Hz Protection IP 55. Special mechanical seal Higher or lower liquid or ambient temperatures Construction with bearing bracket



Self-Priming Centrifugal Pumps-AC series, with open impeller

Performance

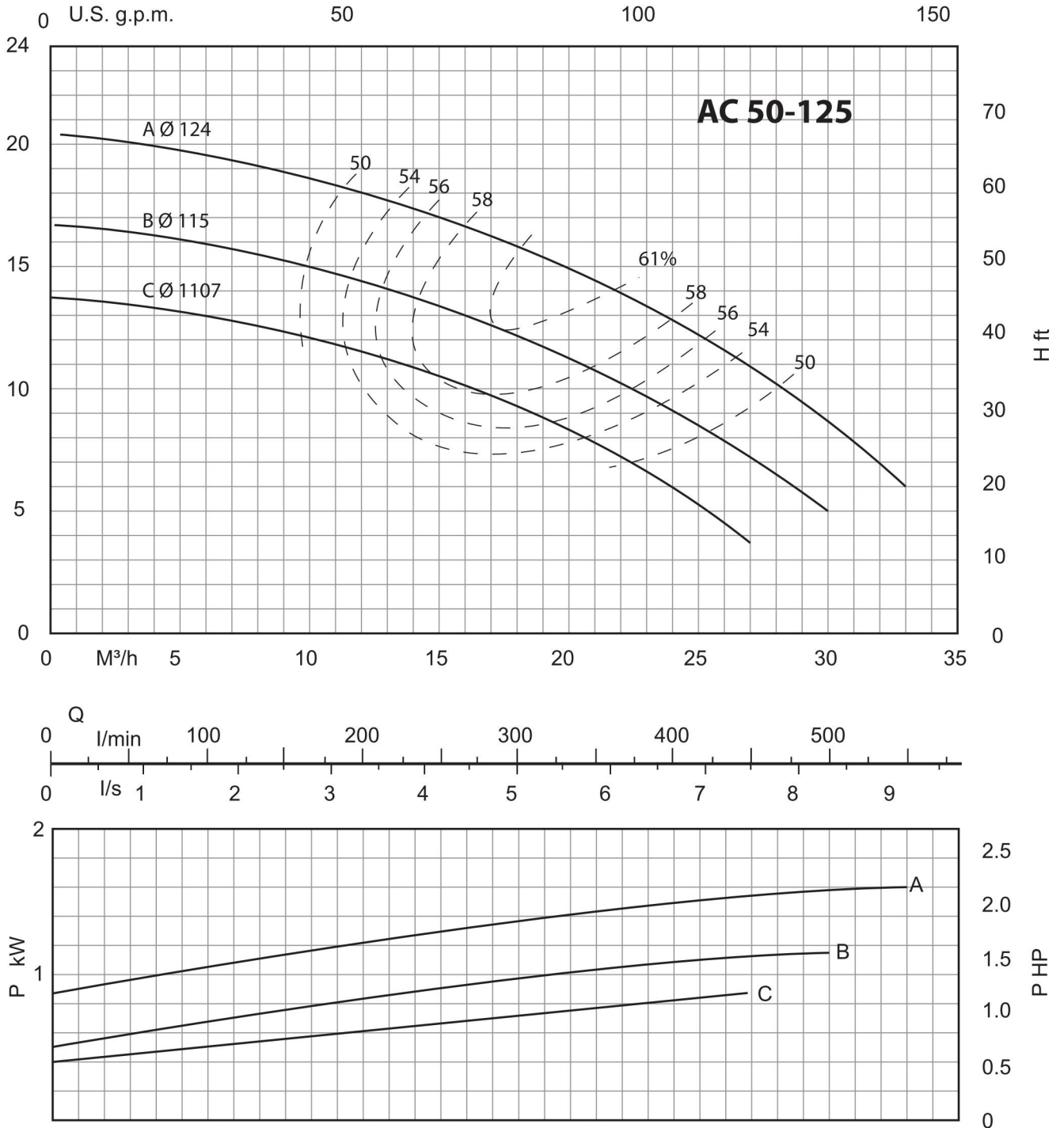
Coverage Chart n = 2900 rpm



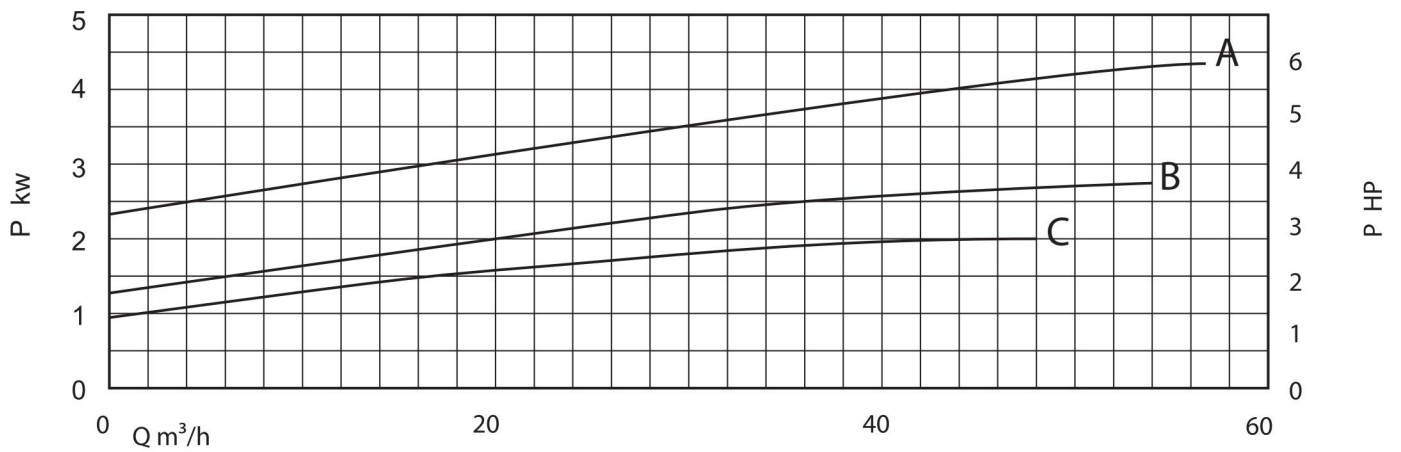
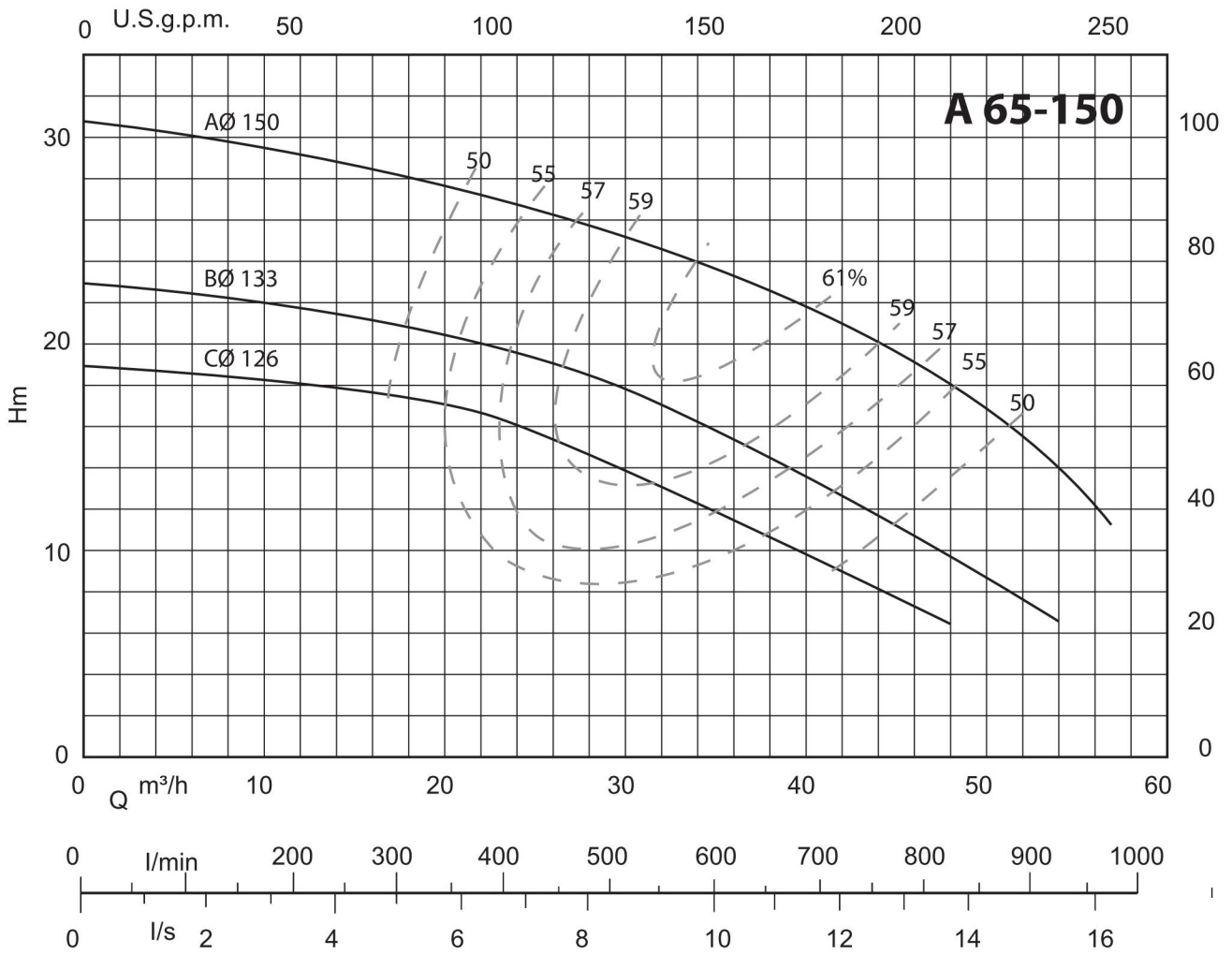
Performance, n ~ 2900 rpm

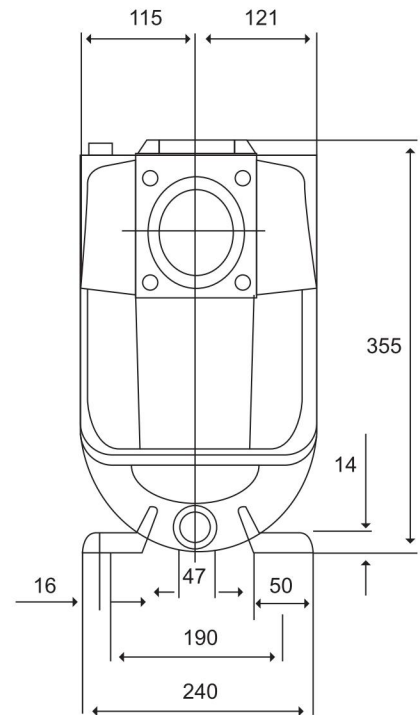
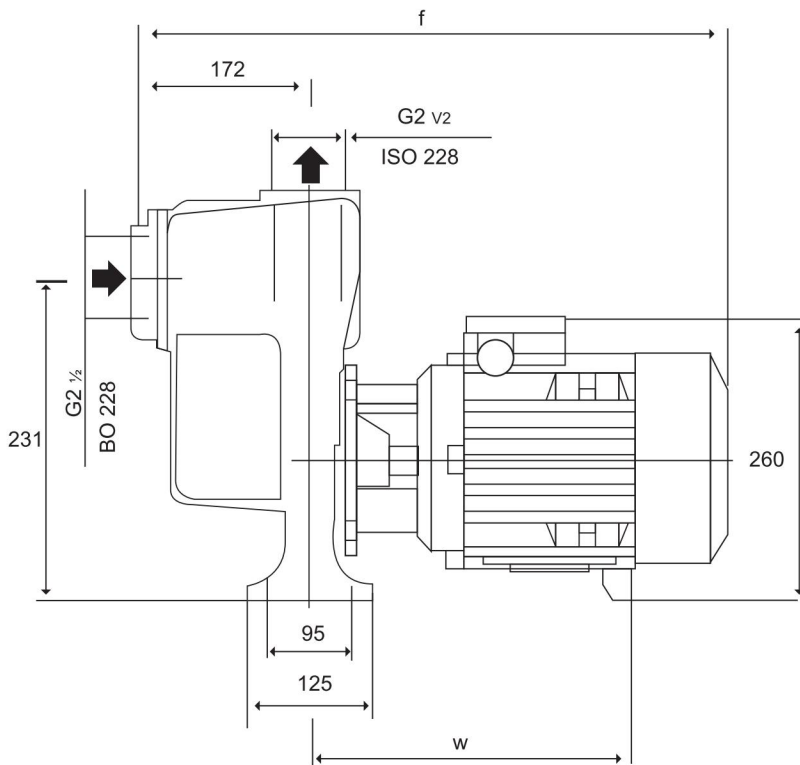
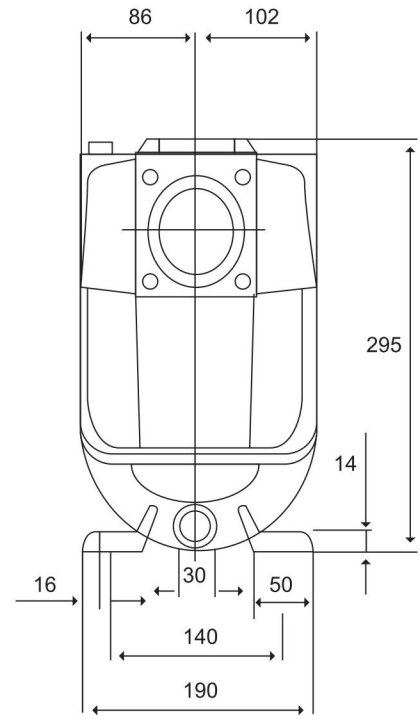
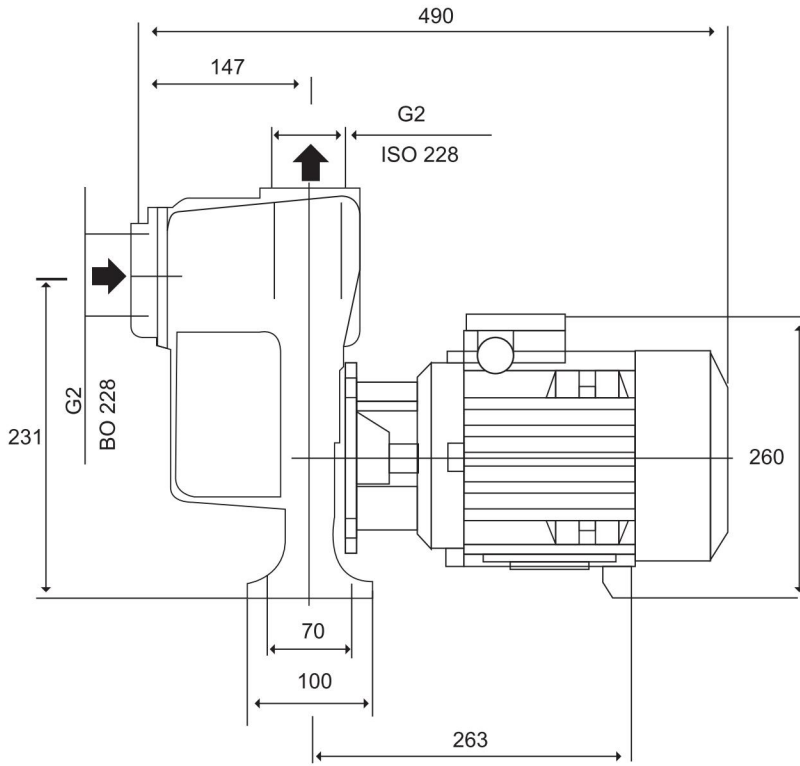
model	Power,	m3/hr,	6	9	12	15	18	21	24	27	30	33
		1 / min	100	150	200	250	300	350	400	450	500	550
AC 50125-1	1 hp	H	13	12.5	11.5	10.5	9.5	8	6	4	-	-
AC 50125-1.5	1.5 hp	H	16	15	14.5	13.5	12	10.5	9	7	5	-
AC 50125-2	2 hp	H	19.5	15	18	17	12	14.5	13	11	9	6
		m3/hr	15	18	24	30	33	36	42	48	54	57
		1 / min	250	300	400	500	550	600	700	800	900	950
AC 65150-3	3 hp	H	17.5	17	16	14	13	11.5	9	6.5	-	-
AC 65150-4	4 hp	H	21.5	21	19.5	17.5	16.5	11.5	12.5	9.5	6.5	-
AC 65150-5.5	5.5 hp	H	29	28	27	25.5	24.3	23.5	21	18	14	11

Self-Priming Centrifugal Pumps-AC series, with open impeller



Self-Priming Centrifugal Pumps-AC series, with open impeller





Model	Weight, kgs	-	-	-
AC 50125-1	27.8	-	-	-
AC 50125-1.5	29	-	-	-
AC 50125-2	29.9	-	-	-
		f	h3	w
AC65150-3	46	561	242	292
AC 65150-4	54	622	260	324
AC65150-5.5	58	622	260	324