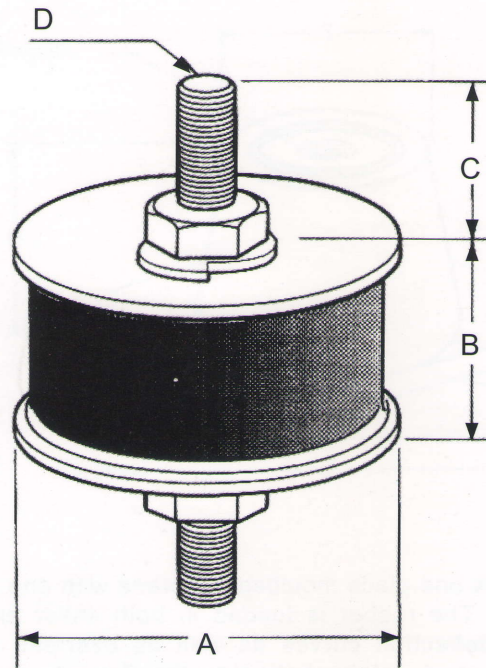


PTM-G • VIBRATION ISOLATING RUBBER MOUNT



Model: PTM-G

TOZEN Model PTM-G vibration isolator is one-piece moulded neoprene with two cast-in load transfer steel plates incorporate with bolt, spring washer and lock nut at the top and at the bottom load surface for attachment to support equipment. The synthetic rubber compound is oil resistant and has been designed to operate within the strain limits of the isolator to provide the maximum isolation and longest expectancy. Model PTM-G is recommended for the isolation of vibration produced by small pumps, vent sets, low pressure packaged air handling units, etc., and usually selected when first cost must be minimized.

PTM-G

(mm)

Model	Rate Capacity		Maximum Static Deflection	(A)	(B)	(C)	(D)
	(Kgs)	(Lbs)					
PTM-G-20	20	44	2	20	15	18	M6
PTM-G-35	35	77	2	25	18	18	M6
PTM-G-70	70	154	4	35	26	23	M8
PTM-G-120	120	264	5	45	34	23	M8
PTM-G-175	175	385	6	55	40	32	M10
PTM-G-335	335	737	5	65	34	37	M12
PTM-G-435	435	957	6	75	42	37	M12
PTM-G-600	600	1320	8	90	50	37	M12
PTM-G-700	700	1540	8	110	66	46	M16
PTM-G-1500	1500	3300	8	150	70	51	M20

Specifications are subject to change without prior notice.