

PTM-C • HOUSED SPRING ISOLATOR

TOZEN PTM-C spring vibration isolators consist of high deflection, laterally stable spring assembled into telescoping cast iron housings which are complete with a 8mm thick ribbed noise absorbing pad bonded to bottom and with internal or external adjusting and levelling bolt as a part of the top assembly. Holes or slots are provided in all isolators for bolting to the structure Model PTM-C spring isolator are designed with a preadjusted snubbing feature to reduce movement during start-up and shut-down. Tozen Model PTM-C spring isolators are typically used to isolate vibration produced by mechanical, industrial, or process machinery where more damping is required and less motion can be tolerated than with free standing spring isolators.

APPLICATION

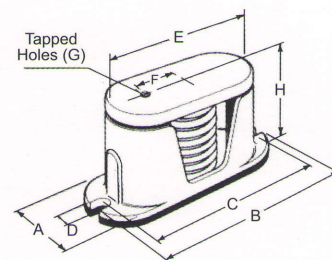
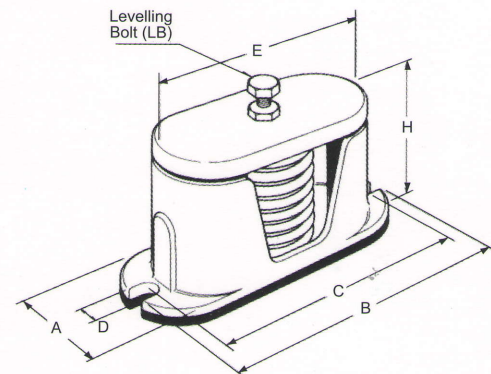
Model PTM-C housed spring isolator mounts are used to isolate high and low frequency vibration generated by floor mounted mechanical equipment located in non-critical and semi-critical areas.

Model PTM-C spring isolators are typically used to isolate the vibration produced by light weight mechanical equipment, having lowest operating speeds of 1,200rpm, located on grade supported slabs, or short structural floor spans, when the isolator to equipment connection is such that a levelling bolt can be extended above the mount and act as a levelling and attachment bolt for the supporting equipment.

Model PTM-C isolators are available as Model PTM-CH which complete with tapped holes at the top loading plate for bolting to the supporting equipment. Internal levelling device is provided for height adjustment which is accessible through the side opening by means of an open end wrench.

Model PTM-C isolators are available as Model PTM-CG which complete with non-skid rubber pad bonded at the top loading plate to eliminate the need for bolting down the supporting equipment. Internal levelling device is provided for height adjustment which is accessible through the side opening by means of an open wrench.

Built-in adjustable snubber are available with Model PTM-CS isolators for high horizontal thrust application which are recommended for application under punch presses, drop hammers, clickers and other industrial equipments.



Model: PTM-CH
Model PTM-CH with tapped holes at the top loading plate

PTM-C 25mm DEFLECTION HOUSED SPRING ISOLATOR

(mm)

Model	Rated Capacity		Spring Constant (Kg/mm)	Spring Colour Code	Operating Heights (H)			(A)	(B)	Slot Pitch (C)	Slot Hole (D)	Top Plate Length (E)	CH-Type		C-Type Levelling Bolt(LB)
	(Kgs)	(Lbs)			C-Type	CH-Type	CG-Type						(F)	(G)	
PTM-C-150M	150	330	6	ORANGE											
PTM-C-200M	200	440	8	PURPLE (PINK)											
PTM-C-300M	300	660	12	RED											
PTM-C-450M	450	990	18	GREEN											
PTM-C-600EM	600	1320	24	SILVER	145	162	170	94	216	194	13	162	45	M12	M16
PTM-C-825EM	825	1815	33	BROWN (GOLD)											
PTM-C-975EM	975	2145	39	BROWN+WHITE											
PTM-C-1100EM	1100	2420	44	BLUE											
PTM-C-1400EM	1400	3080	56	BLUE+BROWN											

Note:

- All springs are free standing and laterally stable. (Outside diameter shall not less than 0.8 times of compressed height)
- Please contact our sales department for greater deflection and loading.
- PTM-C type External Levelling Bolt (LB) is suitable for maximum 25mm bracket or base thickness. Please specify for equipment base thicker than 25mm.

Specifications are subject to change without prior notice.