

LUG TYPE BUTTERFLY VALVE

SPECIFICATION

FOR BS 4505 PN10 / PN16 FLANGE MOUNTING
FACE-TO-FACE DIMENSION TO ISO 5752 / BS 5155 / BS EN 593
LEVER / WORM GEAR OPERATOR

PRESSURE / TEMPERATURE RATINGS

Working Pressure	16 bar
Testing Pressure	Shell : 24 bar Seat : 17.6 bar
Working Temperature	-20°C to 110°C (EPDM Seat) -10°C to 80°C (NBR Seat)
Suitable Media	Water, Oil & Gas

MATERIALS

Part	Material	BS
Body	Cast Iron	Gr. 220
	Ductile Iron	Gr. 420/12
Disc	Ductile Iron	Gr. 420/12
	Aluminum Bronze	1400 AB2
	Stainless Steel 304	304 C15
	Stainless Steel 316	316 C16
Seat Ring	EPDM	
	NBR	
	PTFE	
	Viton	
Shaft	Stainless Steel 410	410 S21
	Stainless Steel 431	431 S29
	Stainless Steel 316	316 S16
Taper Pins	Stainless Steel 316	316 S16
Key	Carbon Steel	
O-Ring	NBR	
Bushing	PTFE	
	Luberized Bronze	

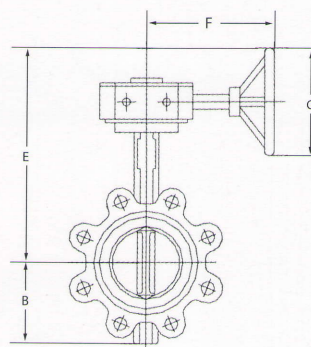
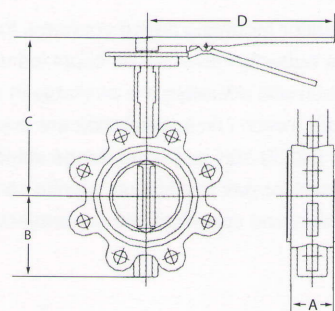
DIMENSIONS

Size mm	A mm	B mm	C mm	D mm	E mm	F mm	G mm	Cv 90°
50	42	80	195	267	272	173	150	135
65	45	89	208	267	287	173	150	220
80	45	97	213	267	292	173	150	302
100	52	114	234	267	310	173	150	600
125	54	127	246	267	325	173	150	1022
150	56	140	259	267	338	173	150	1579
200	61	175	305	358	452	239	285	3136
250	66	203	338	358	485	239	285	5340
300	77	244	381	358	526	226	285	8250
350	77	269	-	-	556	226	285	11917

BFV-LB

PN16

DN50~350



LUG TYPE BUTTERFLY VALVE

SPECIFICATION

DOUBLE-STAGE WORM GEAR OPERATOR

PRESSURE / TEMPERATURE RATINGS

Working Pressure	16 bar
Testing Pressure	Shell : 24 bar Seat : 17.6 bar
Working Temperature	-20°C to 110°C (EPDM Seat) -10°C to 80°C (NBR Seat)
Suitable Media	Water, Oil & Gas

DIMENSIONS

Size mm	A mm	B mm	Double-Stage Worm Gear Operator						Cv 90°
			C mm	D mm	E mm	F mm	G mm	H mm	
400	87/102	318	686	104	328	104	279	302	16388
450	106/114	333	709	104	328	104	279	302	21705
500	132	371	767	142	328	145	305	302	27908
600	152	556	851	142	394	145	305	391	43116

Note:

1. Actuator mounting flange conforms to ISO 5211 drilling.
2. The butterfly valve can be supplied with electric or pneumatic actuator.
3. Pneumatic actuators are available in spring return or double acting.
4. Micro switch / limit switch box are available upon request.
5. JIS B2239 10K and other flange standards available upon request.
6. If used for gas application, please consult our sales office.
7. Design and specifications are subject to change without prior notice.

BFV-LB

PN16

DN400~600

