

# Grundfos Multilift Ejector System



# Grundfos Multilift Ejector System



- 1 Two highly efficient Grundfos SE1 or SEV pumps
- 2 Non-return valve
- 3 Level sensor or float switch
- 4 One or two collecting tank(s)
- 5 Grundfos LCD pump controller
- 6 Connections for additional tank

The Grundfos Multilift Ejector System MDV , MD1 and EDV are high-capacity low noise units designed for handling large volumes of waste-water and sewage, for instance in apartment blocks, hotels, hospitals, schools, and other public buildings as well as in industry. Designed for placement below main sewer level, the Multilift Ejector System MDV, MD1 and EDV collect the sewage, lift it and carry it forward to the sewer system.

Wastewater removal from basement floors of domestic houses and commercial or industrial buildings becomes easy and cost-efficient with Grundfos Multilift Ejector System - and a viable solution for everyone. You can get access to efficient wastewater removal, even if you live in dense urban settings with a cramped infrastructure, where construction of new pump pits is impossible or economically unviable.

In addition, an internal Grundfos Multilift Ejector System installation is a much simpler and cheaper solution to your wastewater removal needs than a traditional, external installation. Delivered as a plug-and-go solution with a wide selection of installation accessories, a Grundfos Multilift Ejector System is exceptionally easy to install and operate and - best of all - it requires no digging work or pump pit construction.

# Grundfos Multilift Ejector System

## CUSTOMER BENEFITS

- > **Compact design**
- > **Durable material**
- > **Versatile application**
- > **Easy installation and maintenance**
- > **Handling of large volumes**

## HIGHLY EFFICIENT PUMPS

The Multilift Ejector System; MD1, MD2 and EDV are large-volume lifting stations with collection tanks (option: stainless steel 304) and two horizontally installed, highly efficient sewage pumps. The lifting stations are supplied as a complete package, ready for on-site assembly.

Multilift Ejector System is fitted with two Grundfos single channel-impeller pumps or SuperVortex-impeller pumps.

The Grundfos SE1, SEV and S1 pumps are technologically very advanced pumps, which allow for free passage of solids up to 100mm. This greatly reduces the risk of clogging and ensures maximum up-time and low operating costs.

Primary and secondary mechanical shaft seals are fitted in one easy-to-replace compact cartridge unit. The pumps feature liquid-less motor cooling and quick-detachable motor units. This allows for trouble-free operation and easy servicing.

## PUMPED LIQUIDS

The Multilift Ejector System is suitable for handling wastewater and other liquids containing solids up to 100mm (for instance fibres, textiles, and faeces) with a pH value of 4 -10.

Suitable for liquid temperatures between 0 and +40°C, for short periods of time up to +60°C.

## GRUNDFOS CONTROLLER

The Grundfos controller, LCD and Hydrocontrol is a dual-pump controller designed for level control and monitoring of Multilift MDV, MD1 and EDV as well as motor protection of the Multilift pumps. Control of pump operations is based on signals from the level sensor in the tank.

## UNIQUE FEATURES

The Grundfos controllers are equipped with an easy-to-use control panel and control unit. They are supplied in watertight cabinets for wall mounting, and a switch in the front enables easy operation of the pumps in manual or automatic mode. The flexible electronic control units will handle all input from the pumps and respond in accordance with the settings specified by you.

Operating conditions, i.e. pump failure, high level alarm, phase sequence and operation are displayed by indicator lights on the front panel.

Multilift Ejector System control panel also can fit with Grundfos Modular Control System MP 204 (optional accessory). The MP 204 is an electronic motor protection and data-collecting unit. Motor protection is achieved by measuring all three phases of the motor power supply by means of true RMS values. A secondary protection of the pumps is achieved via various temperature measurements and moisture sensor information.

In addition to protecting the pump, the MP 204 provides a substantial flow of information and measurements for the Modular Controls, such as warnings, alarms, power consumption data, load information, power factor and motor temperature.

# Grundfos Multilift Ejector System

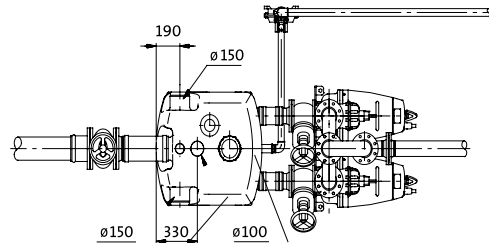
## MDV



Valves and non-return valves are available as optional accessories which order separately.

**Areas of Application:**  
Large properties such as hotels, administrative buildings, business establishments, hospitals, care facilities, nursing homes, event and shopping centers.

**Container Volume:** 400 l (800 l/1200 l)  
**Inlets:** 5 x DN150, 1 x DN100  
**Inlet Levels:** 700mm and vertical  
**Qmax:** 16 l/s Hmax: 29m  
**Discharge Outlet:** DN80/100  
**Motors:** 2.2 kW - 4.0 kW



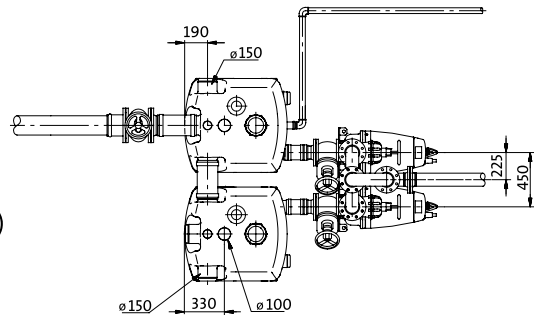
## MD1



Valves and non-return valves are available as optional accessories which order separately.

**Areas of Application:**  
Large properties such as hotels, administrative buildings, business establishments, hospitals, care facilities, nursing homes, event and shopping centers.

**Container Volume:** 400 l (800 l/1200 l)  
**Inlets:** 5 x DN150, 1 x DN100  
**Inlet Levels:** 700mm and vertical  
**Qmax:** 63 l/s Hmax: 25m  
**Discharge Outlet:** DN80/100  
**Motors:** 1.5 kW - 7.5 kW

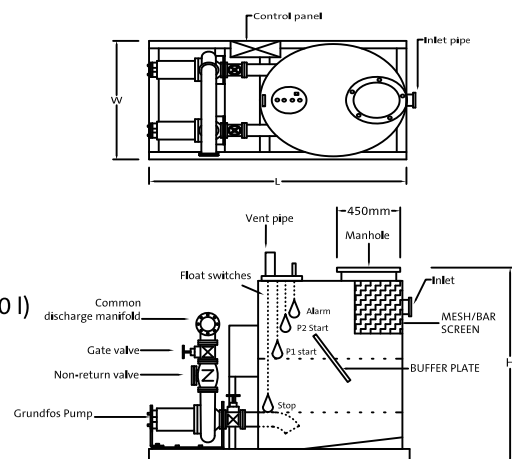


## EDV



**Areas of Application:**  
Large properties such as hotels, administrative buildings, business establishments, hospitals, care facilities, nursing homes, event and shopping centers.

**Container Volume:** 500 l (800 l/1000 l/1500 l)  
**Inlets:** 1 x DN80/100/150  
**Inlet Levels:** 1250mm and vertical  
**Qmax:** 75 l/s Hmax: 35m  
**Discharge Outlet:** DN80/100/150  
**Motors:** 1.5 kW - 15 kW



GRUNDFOS PUMPS SDN BHD (202527-A)

7, Jalan Peguam U1/25  
Glenmarie Industrial Park  
40150 Shah Alam, Selangor,  
Malaysia.  
Tel : +603-5569 2922  
Fax : +603-5569 2866  
E-mail: gfosmy1@grundfos.com



Cert No.: KLR0402930

Branch Office  
Northern & East Coast  
10, Ground Floor,  
Jalan Todak 4, Bandar Sunway,  
13700 Seberang Jaya,  
Penang  
Tel : +604-818 3779  
Fax : +604-818 3848

East Malaysia  
Lot 8, Lorong Industri Warisan 1,  
Taman Industri Warisan Indah,  
Mile 7, Old Tuaran Road  
88450 Inanam, Kota Kinabalu,  
Sabah  
Tel : +6088-380 663/~383 663  
Fax : +6088-383 621

