

## SIMPLE AND COST-EFFICIENT DOSING

# from 1.0 to 18 l/h

### Variations on the synchronous motor theme

The DMB range comprises several variants for general or specific dosing purposes. Dosing heads and valves are available in different materials to suit a wide range of general water treatment and industrial applications.

Whichever model you choose, you get a sturdy, cost-efficient pump based on a well-proven synchronous motor design. The DMB range can handle dose rates from 1.0 to 18 l/h and pressures up to 10 bar.

### Silent operation

Regardless of model, the DMB pump is among the most silent pumps of its type available on the market today. It keeps its noise emission down to just 45 dB(A).

### Proven synchronous-motor technology

The tried-and-tested synchronous motor technology used in the DMB range combines robustness and precision. It keeps pulsation low and performance high.

### The DMB A or B: With or without signal inputs

The 'standard' version of the DMB range is suitable for a wide range of dosing tasks. Choose between version B, designed for simple manual control, or version A which offers more sophisticated control features. Examples include: Contact signal control with multiplier/divisor that converts signals into strokes as appropriate; stroke frequency control; access to check functions and deaeration, and optional memory function.

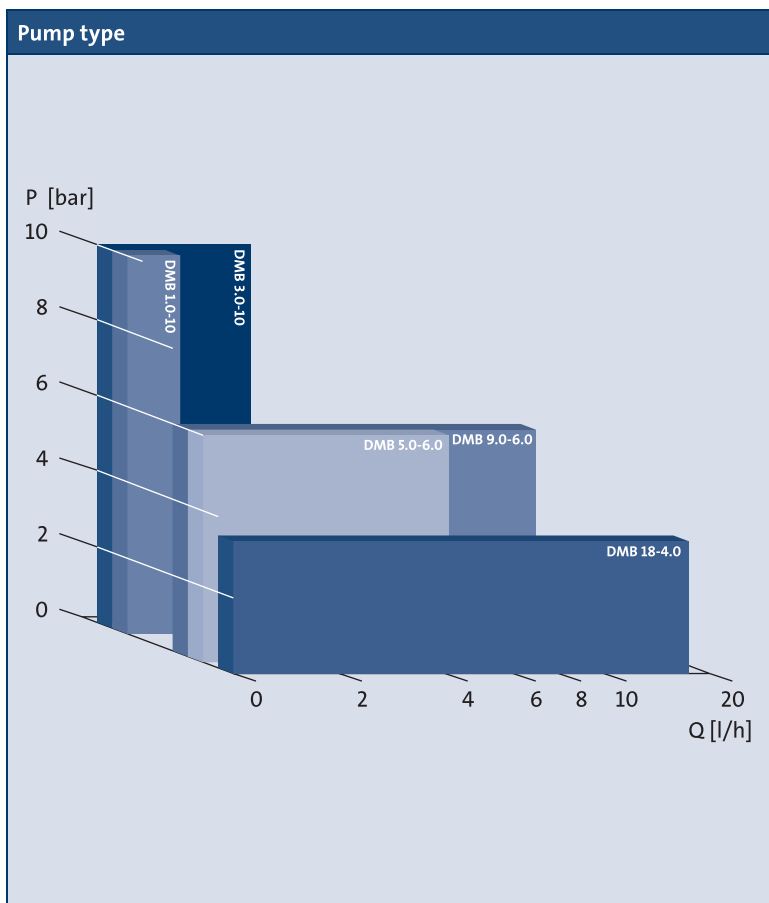
### Choose between control options

The DMB A series can be set to either proportional control or fine dosing by pressing a key. The proportional control mode lets the unit offer pulse control in accordance with external contact signals such as water meters and other sensor and control units.

### Technical Specifications

DMB	Max. capacity (l/h)	Max. pressure (bar)	Freq. 50Hz (spm)	Stroke volume	Voltage	Accuracy		Max. suction lift	Turndown ratio
						Flow	Linearity		
DMB 1.0-10	1	10	120	0.14	1 x 230 V, 50/60 Hz or 1 x 115 V, 50/60 Hz	+/- 1.5 %	+/- 4 %	6 m	1:10
DMB 3.0-10	3	10	120	0.42					
DMB 5.0-6.0	5	6	120	0.69					
DMB 9.0-6.0	9	6	120	1.24					
DMB 18-4.0	18	3.5	120	2.46					

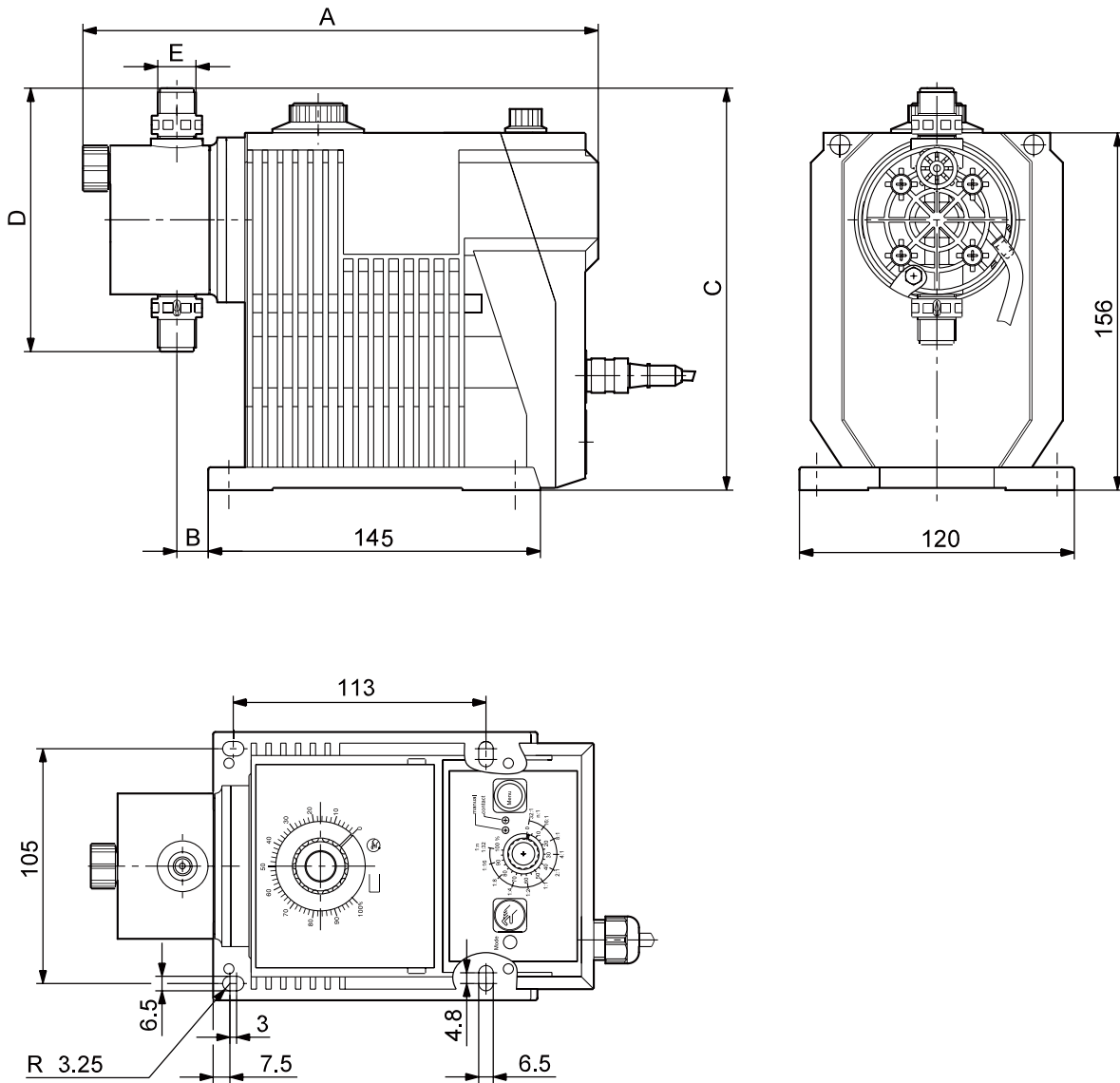
### Performance range



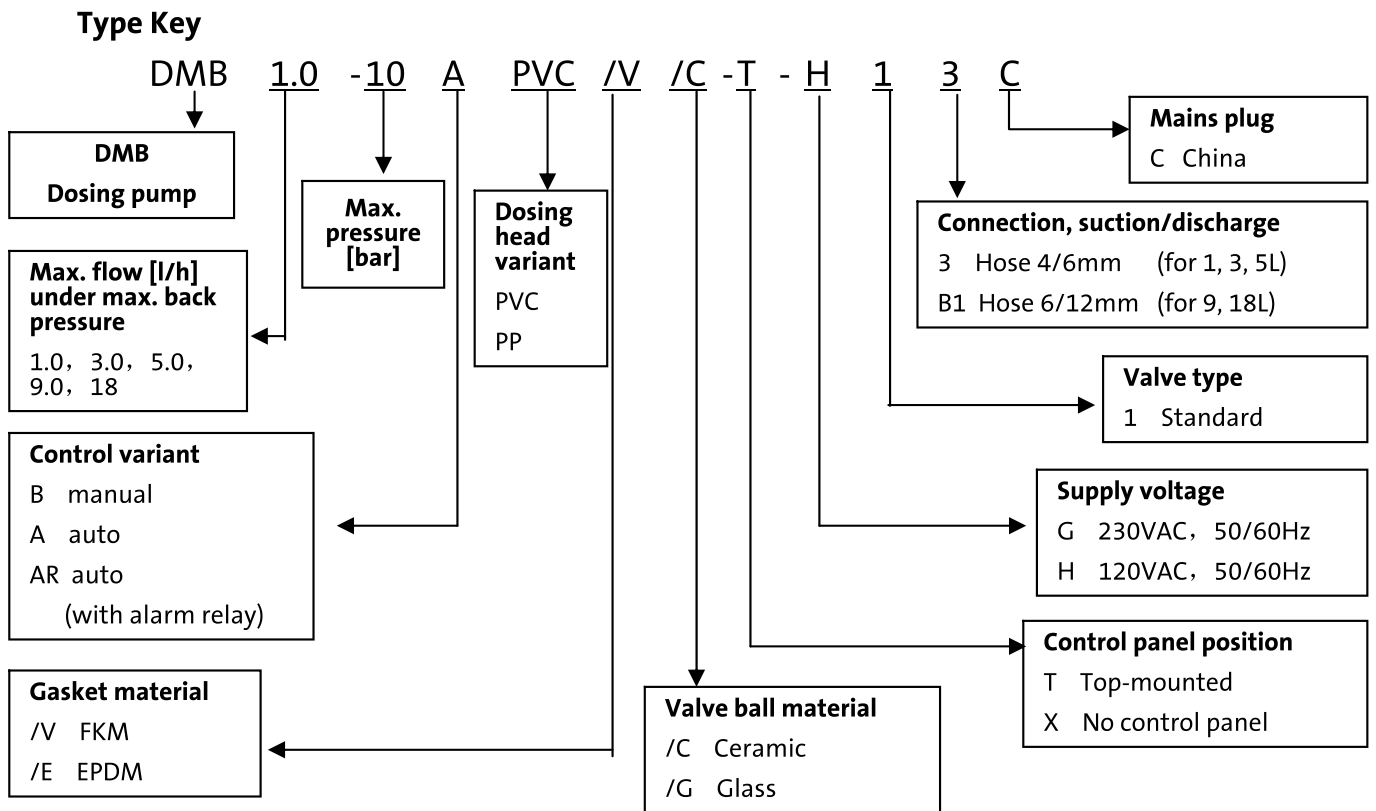
### Application areas

- > Treatment of industrial and municipal water
- > Industrial cleaning
- > Carwashes
- > Paper production/paper finishing
- > Optical technology and chip production
- > Chemical industry
- > CIP cleaning and disinfection (dairies, breweries, etc.)
- > Galvanic industry and surface treatment
- > Air conditioning/cooling towers
- > Mechanical and chemical engineering

Dimensions



Pump Type	A [mm]	B [mm]	C [mm]	D [mm]	E
DMB 1-10	225	20.7	175.5	112	DN4
DMB 3-10	225	20.7	175.5	112	DN4
DMB 5-6	225	20.7	175.5	112	DN4
DMB 9-6	230	26.7	184.5	133	DN8
DMB 18-3.5	230	26.7	184.5	133	DN8



**Installation kits**

- Includes 1 foot valve, 1 injection unit, 2 hoses (1 for suction side, 1 for discharge side), 1 weight

Part Number	Material	Suitable for
95721867	PVC	DMB 1.0, 3.0, 5.0
95721868	PVC	DMB 9.0, 18
95721972	PP	DMB 1.0, 3.0, 5.0
95721973	PP	DMB 9.0, 18

**Spare parts**

- Includes 1 diaphragm and 2 valves

Valve body/ball/O-ring	Pump	DMB 1.0,3.0	DMB 5.0	DMB 9.0,18
		Part Number	Part Number	Part Number
PVC/Ceramic/FKM		95723013	95723019	95723026
PP/Ceramic/FKM		95723014	95723020	95723027
PVC/Ceramic/EPDM		95723015	95723021	95723028
PP/Ceramic/EPDM		95723016	95723022	95723029
PVC/Glass/FKM		95723017	95723023	95723030
PP/Glass/FKM		95723018	95723024	95723031

Subject to change.

2010.3.1